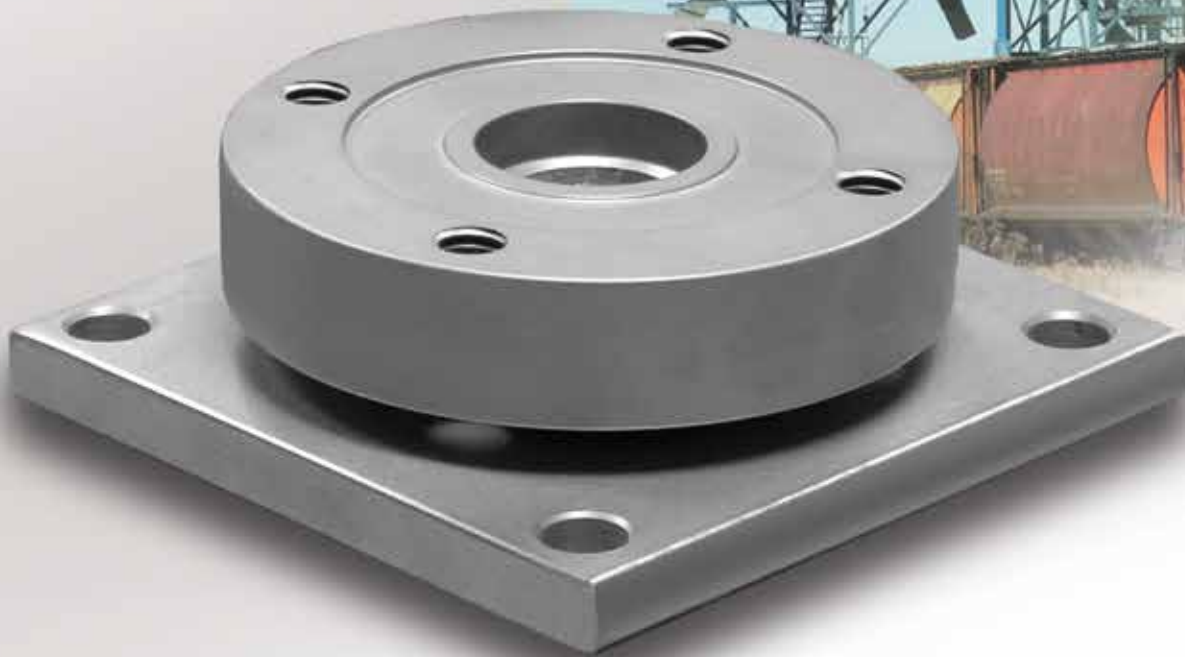


RL9000TWM Series

Light to heavy capacity
mount assembly



INTTEGRATED
SCALE
SYSTEMS

integratedscale.com

RL9000TWM Series

Light to heavy capacity
mount assembly



RL9000TWM

Rice Lake's RL9000TWM is a one-piece module ideal for hostile-environment vessel weighing—offering a space-saving low profile and weatherproof stainless steel construction.

Its low profile configuration maximizes space while all-in-one construction minimizes installation time. Furthermore, the RL9000TWM will accurately weigh even if the base is off level by as much as 3 degrees.

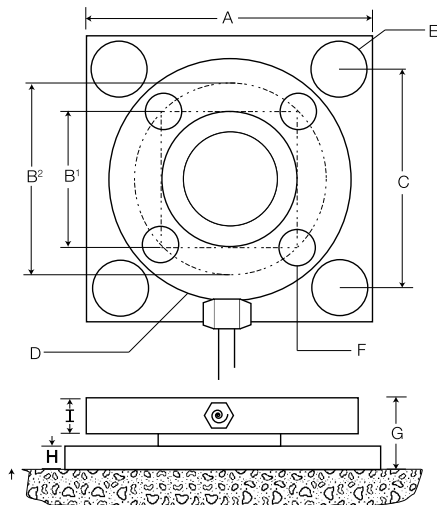
A broad range of weighing capacities from 1,000 lb to 450,000 lb enables its use in many weighing applications. What's more, the 100% uplift protection and self-checking design provide extreme durability.

Each RL9000TWM unit installs quickly without the need for stabilizing hardware or bumper bolts, and offers the benefit of 300% ultimate overload protection. Whether tank, hopper or vessel weighing, its welded-seal design promises year after year of reliable, trouble-free operation. The RL9000TWM comes standard in a wide range of capacities, and is also available in a high-temperature tolerant model (RL9000TWM-HT).

RL9000TWM-HT

For high-temp use, Rice Lake's RL9000TWM-HT adds an enhanced FEP cable along with special strain gauges and other components that protect in temperatures as high as 400°F.

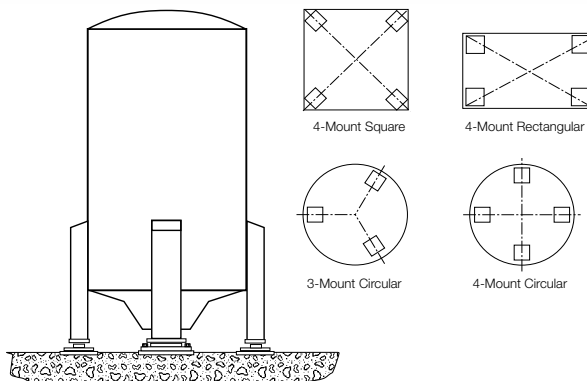
Capacities/Dimensions



Standard Features

- Capacities per assembly: 1000 lb – 450,000 lb
- Self-checking in all directions eliminates external hardware
- 100% uplift protection
- All-in-one construction minimizes installation time
- Welded seal load cell
- Weighs accurately with up to a 3% unparallel loading
- 300% ultimate overload protection
- Stainless steel for hostile environment applications
- Low-profile design

Vertical & Horizontal Vessel Arrangements



| | 1-15 k | 20-50 k | 60-100 k | 150-250 k | 250-450 k |
|-----------|------------------------------------|------------|-------------|-------------|-------------|
| | inches/mm | inches/mm | inches/mm | inches/mm | inches/mm |
| A | 4.0/102 | 7.0/178 | 8.0/203 | 10.0/254 | 12.0/305 |
| B1 | 2.0/51 sq | 3.75/95 sq | 4.25/108 sq | NA | NA |
| B2 | NA | NA | NA | 7.88/200 BC | 8.38/213 BC |
| C | 3.25/83 | 5.5/140 | 6.5/165 | 8.0/203 | 10.0/254 |
| D | 3.5/89 | 6.0/152 | 7.0/178 | 9.0/229 | 10.0/254 |
| E | 0.4/10 | 0.63/16 | 0.81/21 | 1.1/27 | 1.3/33 |
| F | 3/8-16 | 1/2-13 | 3/4-16 | 1-14 | 7/8-14 |
| G | 1 k - 10 k 1.35/34 15 k 1.60/41 | 2.48/63 | 2.50/64 | 4.75/121 | 6.42/163 |
| H | 1 k - 10 k 0.38/10 15 k 0.63/16 | 0.75/19 | 1.0/25 | 2.0/51 | 3.0/76 |
| I | 0.75/19 | 1.3/33 | 1.25/32 | 1.7/43 | 2.25/57 |

Integrated Scale Systems is here for all of your laboratory and industrial needs. With 20+ years of experience under our belts, we strive to provide the best solutions tailored to your individual needs.

Give us a call.



Integrated Scale Systems
20 Kulick Road
Fairfield, NJ 07004 • United States
TEL: (888) 893-1010
FAX: (973) 808-5055

integratedscale.com