

BenchMark[®] HE-X

WASHDOWN BENCH SCALE



INTTEGRATED
SCALE
SYSTEMS

BenchMark[®] HE-X

WASHDOWN BENCH SCALE

Bench Scale Built for Hostile Environments

Equipment used in corrosive or highly sanitary environments needs a strong defense against microscopic pathogens. Rice Lake's BenchMark™ HE-X bench scale was built for extremely hostile environments. Designed to meet strict sanitary design principles, the BenchMark HE-X provides the ultimate washdown capability.

Heavy-Duty Protection

Built for highly sanitary environments, the BenchMark HE-X frame is made from 304 stainless steel plates connected with continuous welds. An IP69K hermetically sealed load cell is safe from chemicals and bacteria and has five-point overload protection. The scale is made with an open design and no exposed threads so product and bacteria have no place to hide. The BenchMark HE-X is easy to clean, and because of its heavy steel frame, it won't be pushed around during high-pressure washdown. A heavy-duty frame and load cell, combined with an easily removable cover, make this scale perfect for extreme sanitary conditions.



Rice Lake's BenchMark HE-X features are designed for strict sanitary washdown environments.

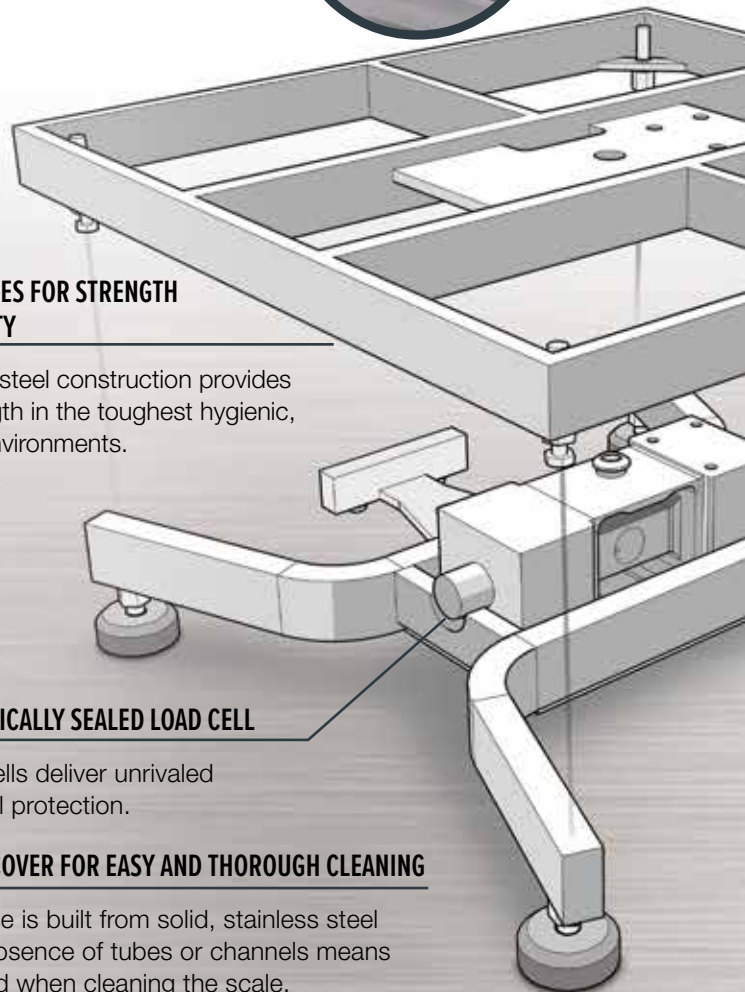
MICROBIAL PROTECTION WITH CONTINUOUS WELDS ON SOLID BEAMS

Continuous welds on the solid base plates follow strict sanitary design principles.



STACKED FRAMES FOR STRENGTH AND DURABILITY

304 stainless steel construction provides rugged strength in the toughest hygienic, washdown environments.



IP69K HERMETICALLY SEALED LOAD CELL

IP69K load cells deliver unrivaled environmental protection.

REMOVEABLE COVER FOR EASY AND THOROUGH CLEANING

The scale base is built from solid, stainless steel plates. The absence of tubes or channels means peace of mind when cleaning the scale.



NON-SLIP, ADJUSTABLE FEET PREVENT SLIDING ON MOST SURFACES



BenchMark[®] HE-X

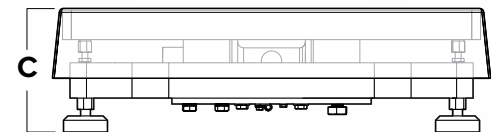
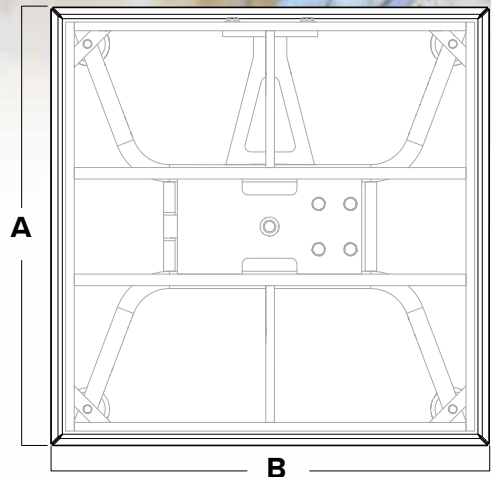
WASHDOWN BENCH SCALE

The BenchMark HE-X is available in standard sizes of 12 x 18 up to 24 x 24 inches and capacities ranging from 50 to 1,000 pounds. Rice Lake can create custom sizes and capacities for unique applications.

BenchMark HE-X is part of a family of products that include the RoughDeck QC-X floor scale and the CW-90X checkweigher specifically designed for washdown environments.

STANDARD FEATURES

- 304 stainless steel frame and cover with continuous welds
- Rugged washdown design
- Stainless steel IP69K load cell
- Meets Sanitary Design Principles



Dimensions		
A	B	C
24 in	24 in	5.25 in
24 in	18 in	5.25 in
18 in	18 in	5.25 in
18 in	12 in	5.25 in



CW-90X Indicator

Complete your BenchMark HE-X scale with a CW-90X indicator. Built to withstand rough handling and extreme washdown requirements, the CW-90X indicator is the ideal match for the BenchMark HE-X.

Integrated Scale Systems is here for all of your laboratory and industrial needs. With 20+ years of experience under our belts, we strive to provide the best solutions tailored to your individual needs.

Give us a call.



Integrated Scale Systems
20 Kulick Road
Fairfield, NJ 07004 • United States
TEL: (888) 893-1010
FAX: (973) 808-5055

integratedscale.com